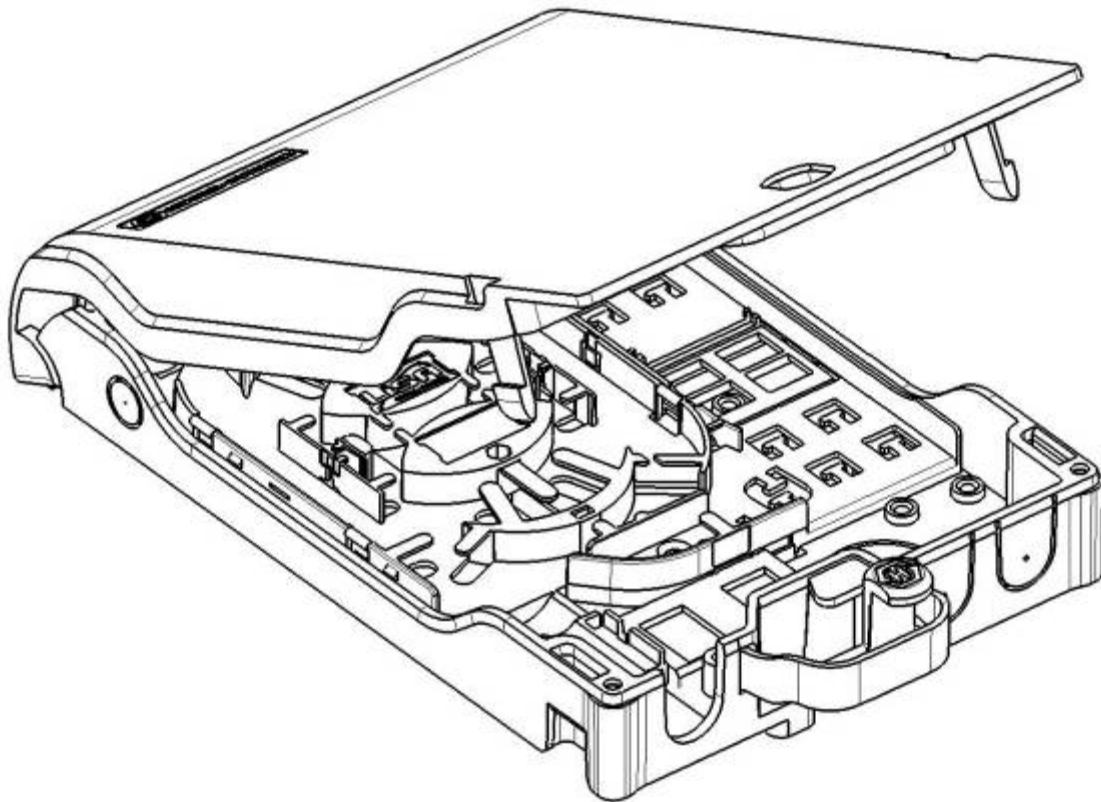




Customer Distribution and Termination Enclosure „OptiBox 4“



OptiBox 4 is a fiber optic distribution and termination enclosure, which is used for splicing, patching and to perform with passive optical components. The straightforward mounting box has its main use in telecommunication (Fiber to the Home) and is specially designed for indoor or outdoor deployment (IP 54). In order to protect the fibers from bending or environmental influence, conventional loose tube cables as well as micro cables or conduits of blow-in systems can be fastened to the inside of the box. Further, there can be fastened various gas blocking systems, MASTERLINE Quick, or MASTERLINE Push-Fit inside the box.

Characteristics

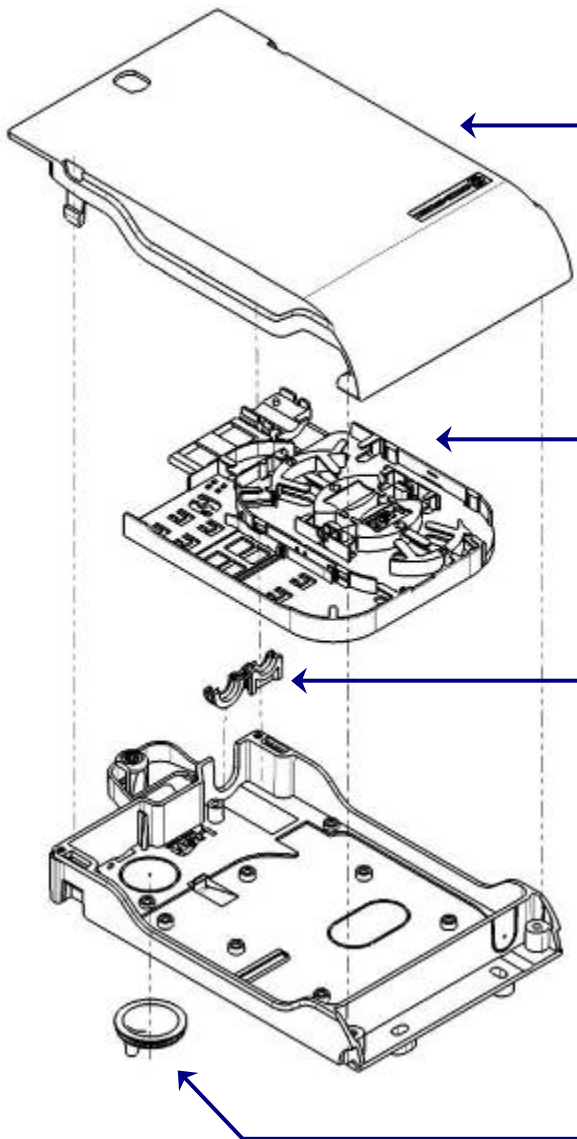
- straightforward mounting splicing and patching box, consisting of base, fiber tray and cover
- detachable fiber management tray (fiber inlay)
- up to 4 adapters in SC shape (LC, LX.5, SC, E-2000™)
- adapters / connectors can be mounted inside or outside of the enclosure
- storage of uncut fibers in single element technology
- radius protected fiber overlength storage of 28mm
- Pigtail to Pigtail configuration
- special storage position for unused fibers
- two different levels sharing up to 12 splices
- 1 cable entry, 4 cable exit of which one is bending radius protected through the enclosure
- outside cable entries and exit are sealed with hinged half- shell cable grommets
- key lockable cover is individually lead sealable
- Telekom (Service)- and user area are dividable and sealable
- UV radiation resistant housing
- enclosure impermeability matches the requirement of moderate outdoor applications (IP54)



Customer Distribution and Termination Enclosure „OptiBox 4“

Product Overview:

OTB4-0LO-0T-0C-INLAY-FIT – item 84076036



1 clip- on cover:
can be equipped with a key lock and is individually lead sealable

1 fiber management tray (fiber inlay):
with integrated cable / microduct entry
radius protected (28mm) fiber overlength and cross-out management
storage for unused fibers
splicing area is separated from storage

3x3 hinged half- shell cable grommets:
3 different sizes of cable diameters
- 3 – 5 mm
- 6 – 8 mm
- 9 – 12 mm
for three U-shaped cable entries oder exit

1 OptiBox 4 base:
1 open, U-shaped cable entry
3 U-shaped knockouts
1 round knockout
1 oval knockout

1 trumped cable grommet:
radius protected cable exit (30mm)

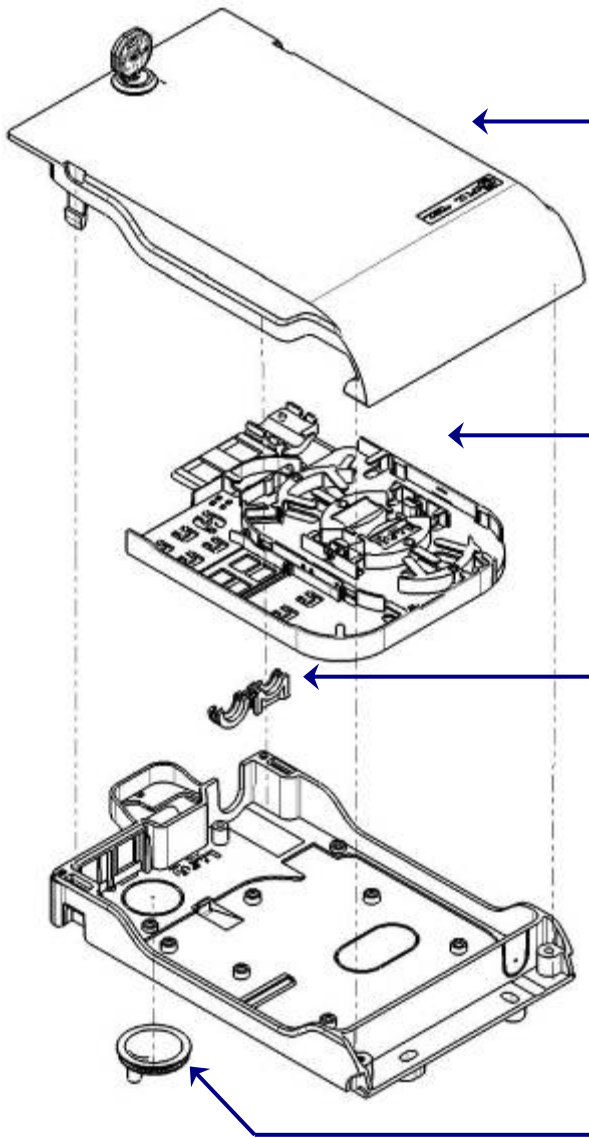
On request, OptiBox 4 is delivered including adapters and connectors. Connectivity components are enclosed as a mounting- kit. Further accessories like splice holder, Patch Cables, Pigtaills, Masterline Quick, etc can be included as well, but they have to be ordered individually.



Customer Distribution and Termination Enclosure „OptiBox 4“

Product Overview:

OTB4-1LO-0T-0C-INLAY-FIT – item 84078418



1 clip- on cover equipped with a key lock:
cylinder quarter turn lock model with spring fixing
protected access to lock fixation
cover is individually lead sealable

1 fiber management tray (fiber inlay):
with integrated cable / microduct entry
radius protected (28mm) fiber overlength and cross-out
management
storage for unused fibers
splicing area is separated from storage

3x3 hinged half- shell cable grommets:
3 different sizes of cable diameters
- 3 – 5 mm
- 6 – 8 mm
- 9 – 12 mm
for three U-shaped cable entries oder exit

1 OptiBox 4 base:
1 open, U-shaped cable entry
3 U-shaped knockouts
1 round knockout
1 oval knockout

1 tramped cable grommet:
radius protected cable exit (30mm)

On request, OptiBox 4 is delivered including adapters and connectors. Connectivity components are enclosed as a mounting- kit. Further accessories like splice holder, Patch Cable, Pigtails, Masterline Quick, etc can be included as well, but they have to be ordered individually.



Customer Distribution and Termination Enclosure „OptiBox 4“

Technical Data

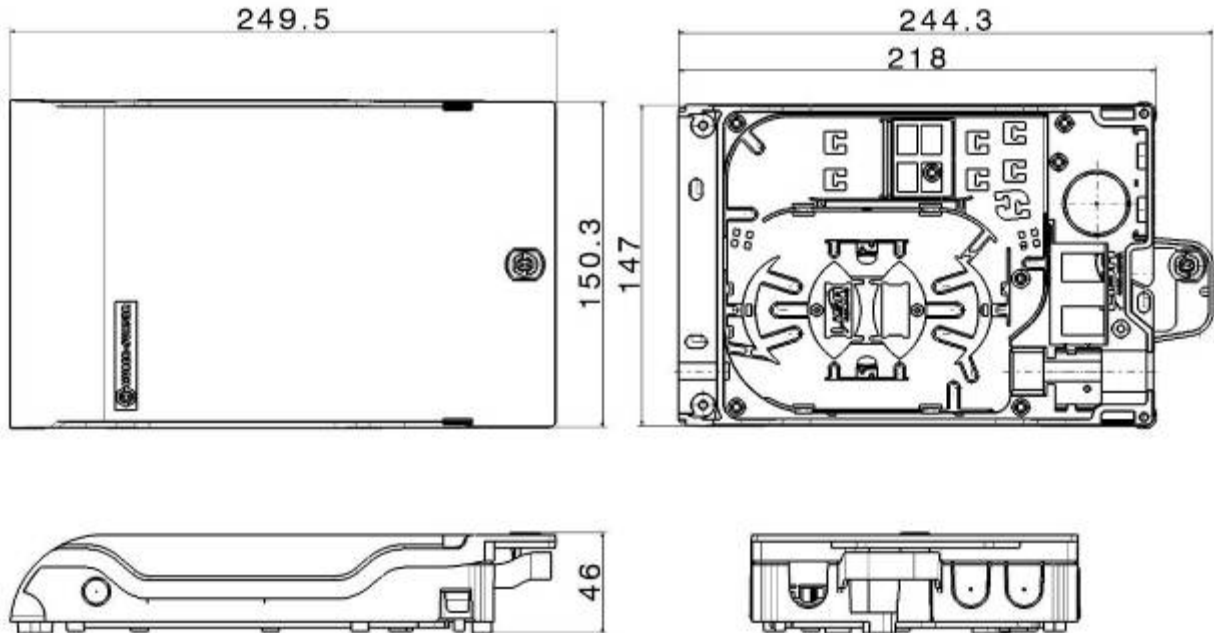
Attribute	Value
Dimensions (B x L x H)	150 x 250 x 46 mm
Capacity: detachable optical connections	8x LC and LX.5, 4x SC and E-2000™
non detachable optical connections	24x sandwich-, 12x heat shrink splice protection
Dimension (Ø) cable or blow-in conduits	3 – 12 mm
Material: enclosure (cover / base)	PC
fiber inlay / extension tray / add-on lid	PC/ABS
enclosure sealing	TPE, shore 50A
sealing grommets	TPE, shore 60A
lock (cylinder quarter turn lock)	GD-Zn chrome-plated
Weight: enclosure (cover / base)	381gr. (188gr. / 193gr.)
fiber inlay / extension tray / add-on lid	55gr. / 36gr. / 42gr.
sealing grommets	~ 4gr.
lock (cylinder quarter turn lock)	32gr.
Color: enclosure (cover / base)	RAL 9016, traffic white
fiber inlay / extension tray / add-on lid	RAL 9002, grey white
sealing grommets	RAL 9005, jet black
Ingress protection degree (EN60529)	IP54
Resistance to Impact (EN62262)	IK08
Temperature Resistance Celsius	-46° ... +120°C
Short-term use Fahrenheit	50° ... 250°F
Temperature Resistance Celsius	-46° ... +81°C
Long-term use Fahrenheit	50° ... 178°F
Insulation	fully insulated
Flamability rating enclosure (cover / base)	UL 94V-0
fiber inlay / extension tray / add-on lid	UL 94V-0
sealing grommets	UL 94V-0
UV Resistance: enclosure (cover / base)	resistant
fiber inlay / extension tray / add-on lid	limited resistant
sealing grommets	resistant
Free of Halogen	yes
Chemical Resistance	good
RoHS requirements	fully comply



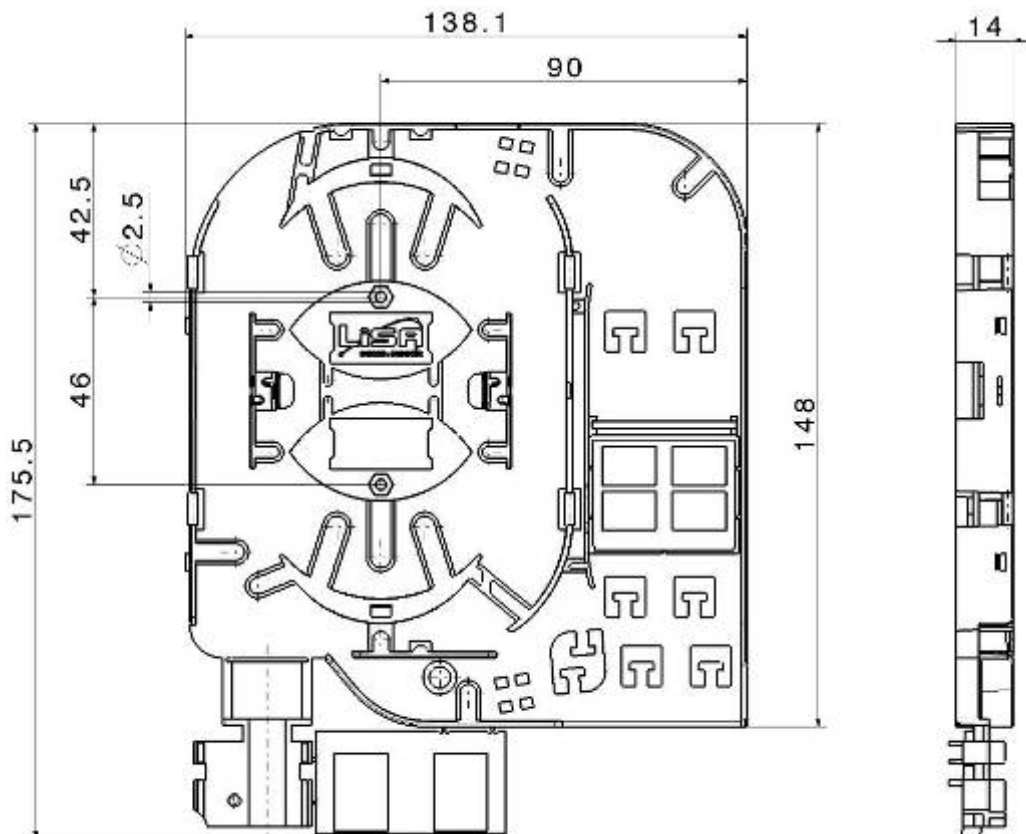
Customer Distribution and Termination Enclosure „OptiBox 4“

Technical drawings:

enclosure:



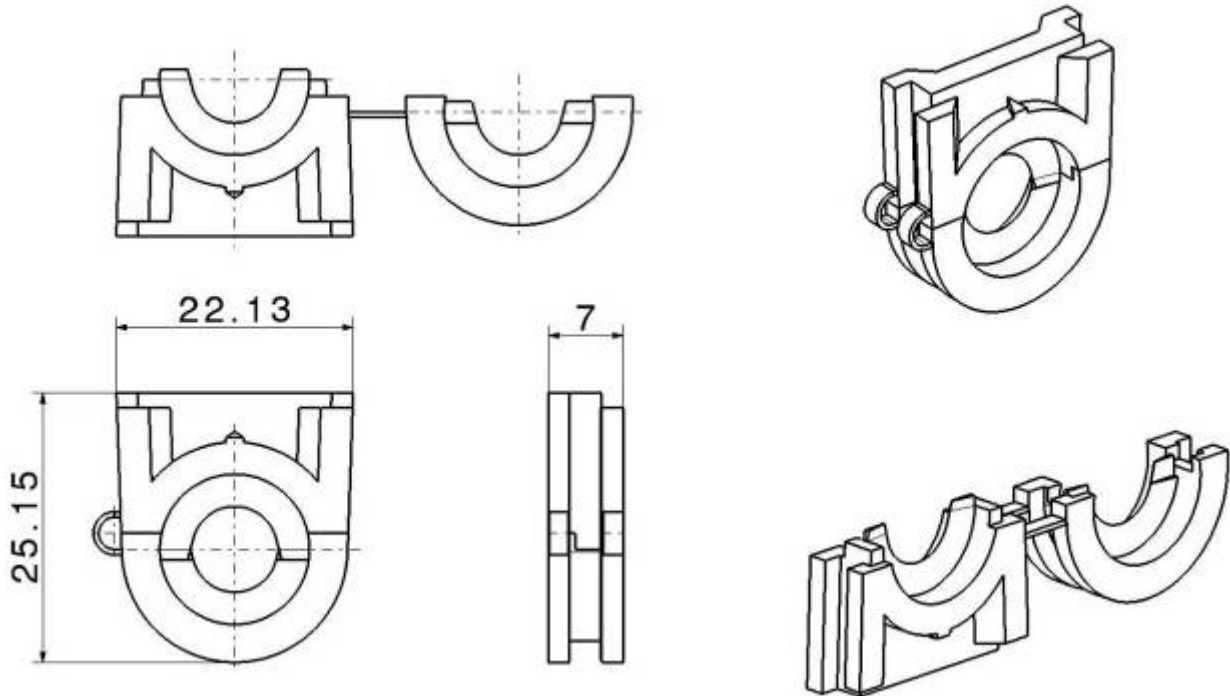
fiber inlay:



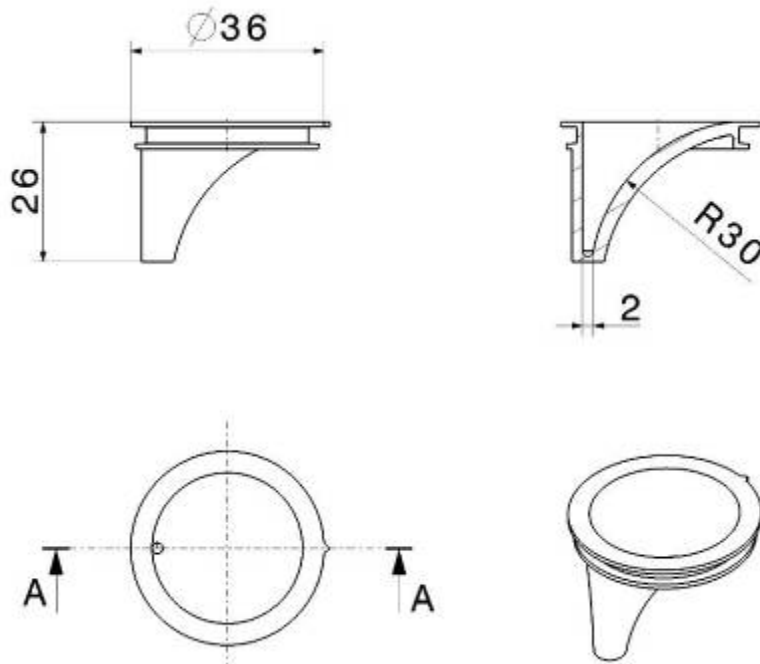


Customer Distribution and Termination Enclosure „OptiBox 4“

hinged half- shell cable grommets:



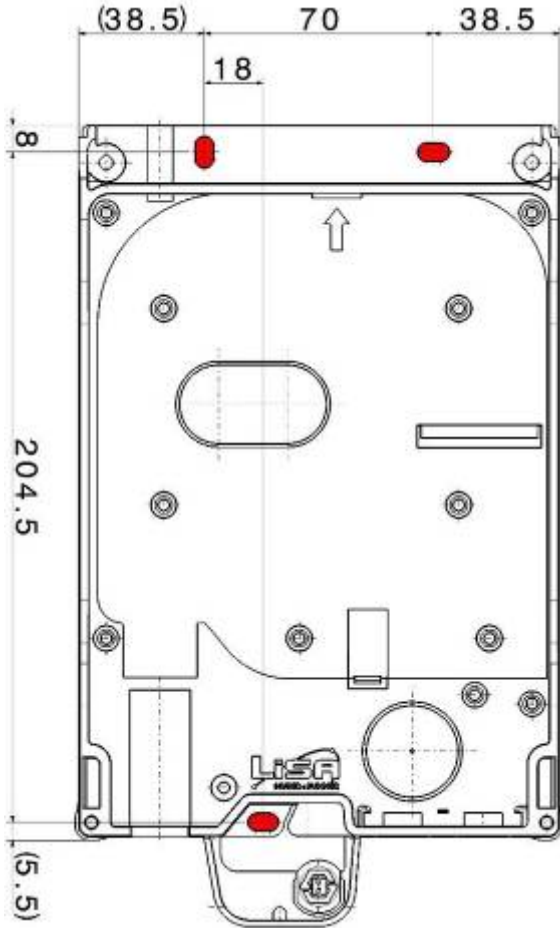
trumpet grommet:



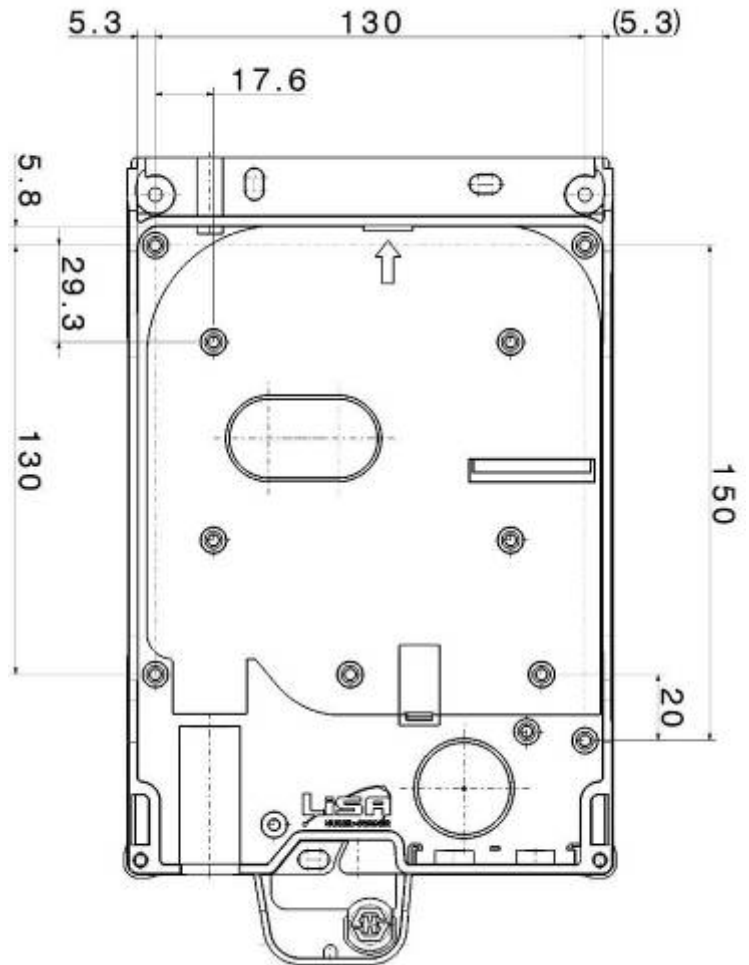


Customer Distribution and Termination Enclosure „OptiBox 4“

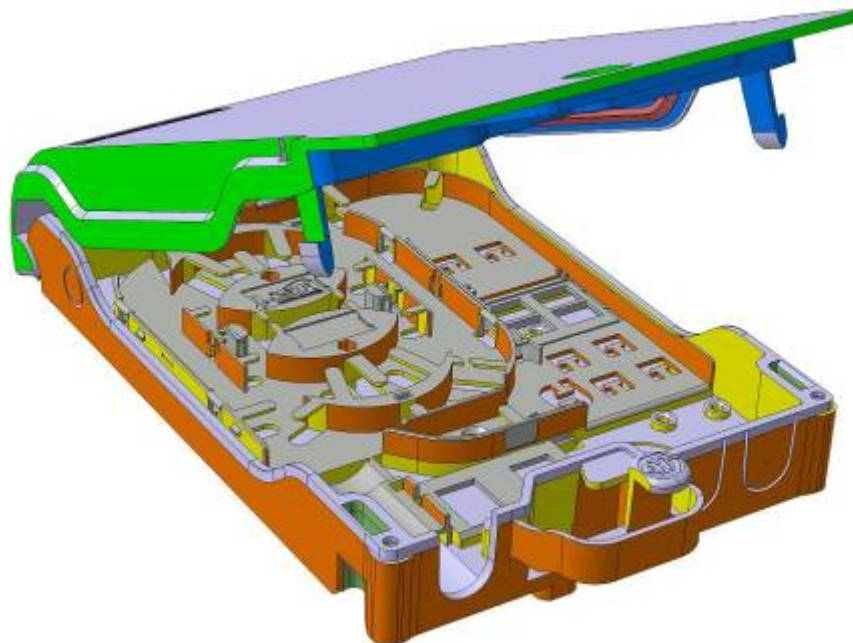
drilling template:



mounting positions in base



3 – dimensional drawing:





Customer Distribution and Termination Enclosure „OptiBox 4“

Article description code

OTB 4	OptiBox 4, (standard make)
0LO 1LO	NO Lock with Lock
0T 1T	NO extension tray with extension tray
0C 1C	NO add-on lid with add-on-lid
INLAY	with fiber inlay
FIT	assembled

Additional Documents:

Document	Doc-Nummer
customer drawings enclosure	DPR-00124203.1
drilling template	DOU-00124200.2
mounting positions in base	DOU-00124200.3
fiber inlay	DPA-00113637.1
hinged half- shell cable grommets	DOU-00117413.2
trumpet grommet	DOU-00113397.1
mounting instruction OptiBox 4	DOC-0000294965
tender text OptiBox 4	DOC-0000295788
application guideline OptiBox 4	DOC-0000295789
data sheet pole mounting kit OptiBox 4	DOC-0000296167
mounting instruction pole mounting OptiBox 4	DOC-0000296166
product presentation	non
product brochure (catalogue extract)	non

HUBER+SUHNER is certified according to ISO 9001 and ISO 14001.



HUBER+SUHNER AG
 Fiber Optics Division
 9100 Herisau/Switzerland
 Tel. +41 (71) 353 41 11
 Fax +41 (71) 353 46 47
 Email intouch@hubersuhner.com

WAIVER
 It is exclusively in written agreements that we provide our customers with warrants and representations as to the technical specifications and/or the fitness for any particular purpose. The facts and figures contained herein are carefully compiled to the best of our knowledge, but they are intended for general informational purposes only.